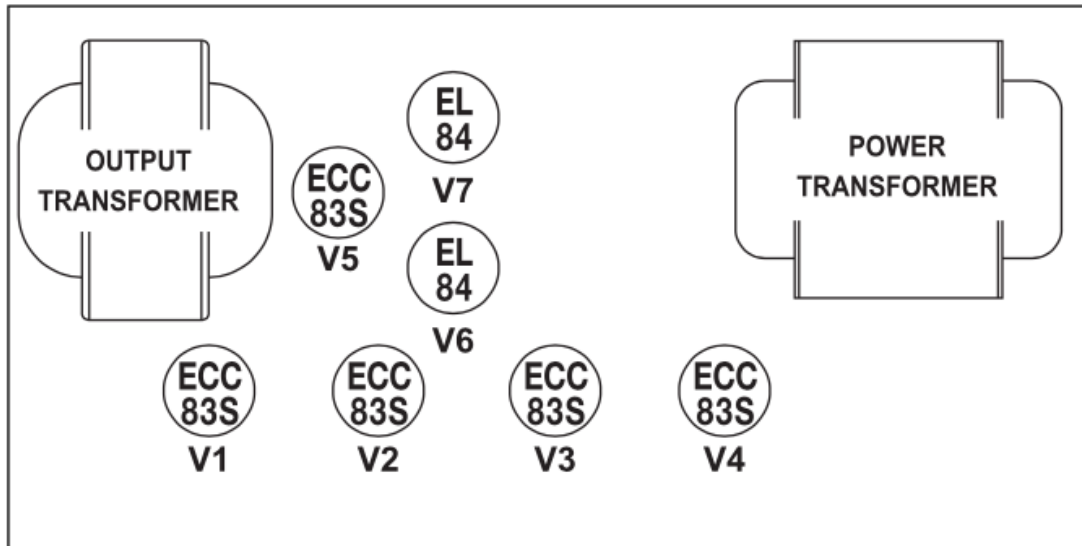


## EVH 5150III 15W Head Tube Layout and Functions



FRONT

V1 & V2 – Blue/Red Preamp

V3 – Red Preamp

V4 – Effects Loop

V5 – Phase Splitter

V6 & V7 – Power Tubes