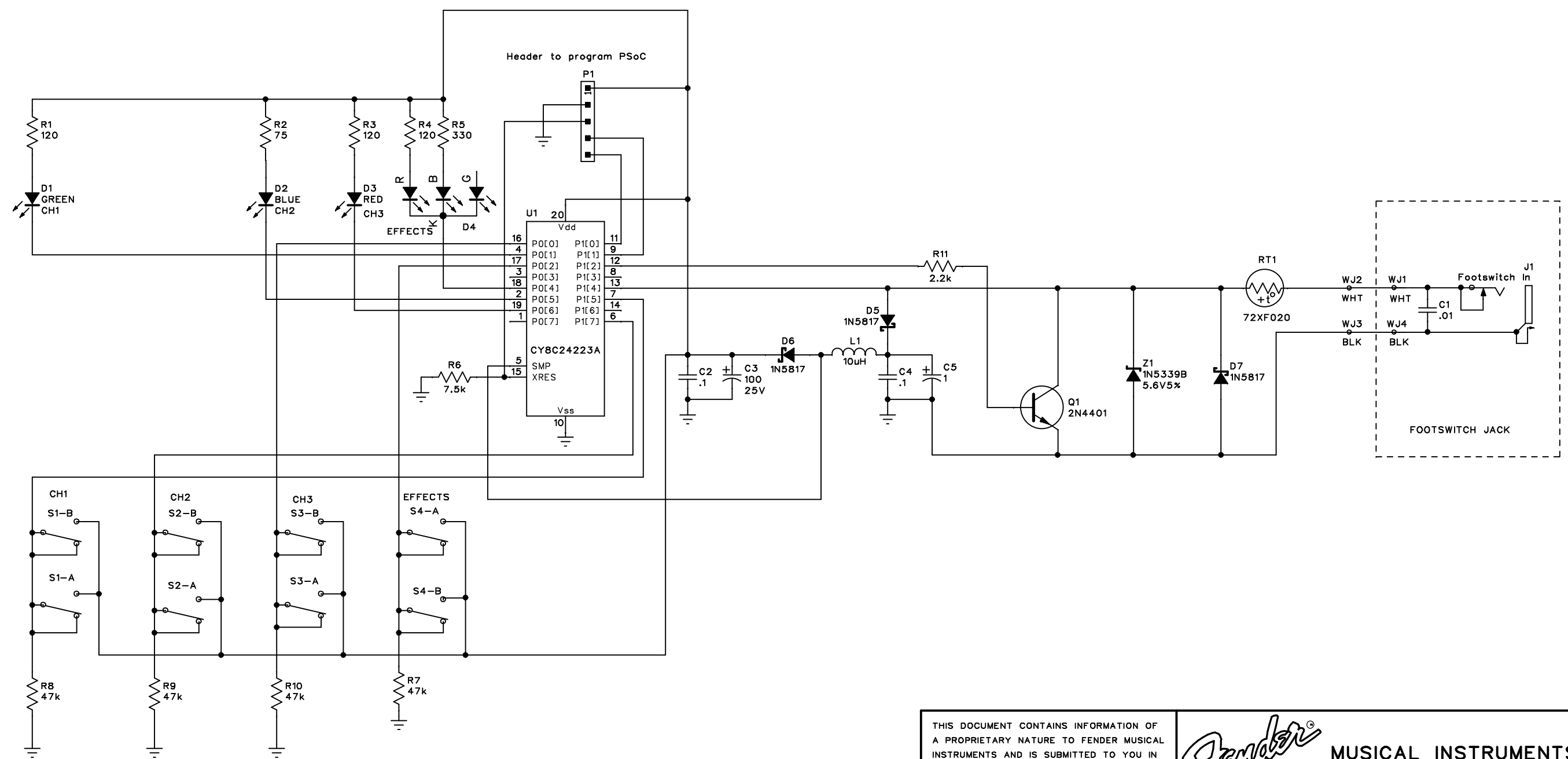


ISSP interface to PSoC is provided as one way to program the PSoC during initial testing (Ref. Cypress Application Note AN2014)

REVISIONS			
REV.	DESCRIPTION	DATE	APPROVED
A	PR1045	17-AUG-11	H B K
B	EC5047	07-MAY-12	H B K



4. THIS SCHEMATIC IS FOR PCB FABRICATION P/N 0091168000 AND PCB ASSEMBLY 0091167000.
3. ALL POLARIZED CAPACITORS IN uF, 20%; 50V MINIMUM.
2. ALL UNPOLARIZED CAPACITORS IN uF, 10% OR BETTER; 50V MINIMUM. (POWER SUPPLY BYPASS CAPACITORS ARE 20%).
1. ALL RESISTORS IN OHMS, 5%; 1/4W.

NOTES: (UNLESS OTHERWISE NOTED)

THIS DOCUMENT CONTAINS INFORMATION OF A PROPRIETARY NATURE TO FENDER MUSICAL INSTRUMENTS AND IS SUBMITTED TO YOU IN CONFIDENCE AND SHALL NOT BE DISCLOSED OR TRANSMITTED TO OTHERS WITHOUT AUTHORIZATION FROM FENDER MUSICAL INSTRUMENTS.

Fender MUSICAL INSTRUMENTS
Corona, CA U.S.A.

CHECKED BY: _____
DATE: _____

APPROVED BY: _____
DATE: _____

DRAWN: B. DESI ENGR: H. KAPLAN
DATABASE FILE: Z1045S2.SCH

TITLE: SERVICE DIAGRAM, COMBINED (schematic)
EVH 5150 III FOOTSWITCH
4 BTN, 2-WIRE

SIZE	DRAWING NUMBER	REV.
B	0091170000	B
RELEASE DATE: 17-AUG-2011	SHEET: 1 OF 2	