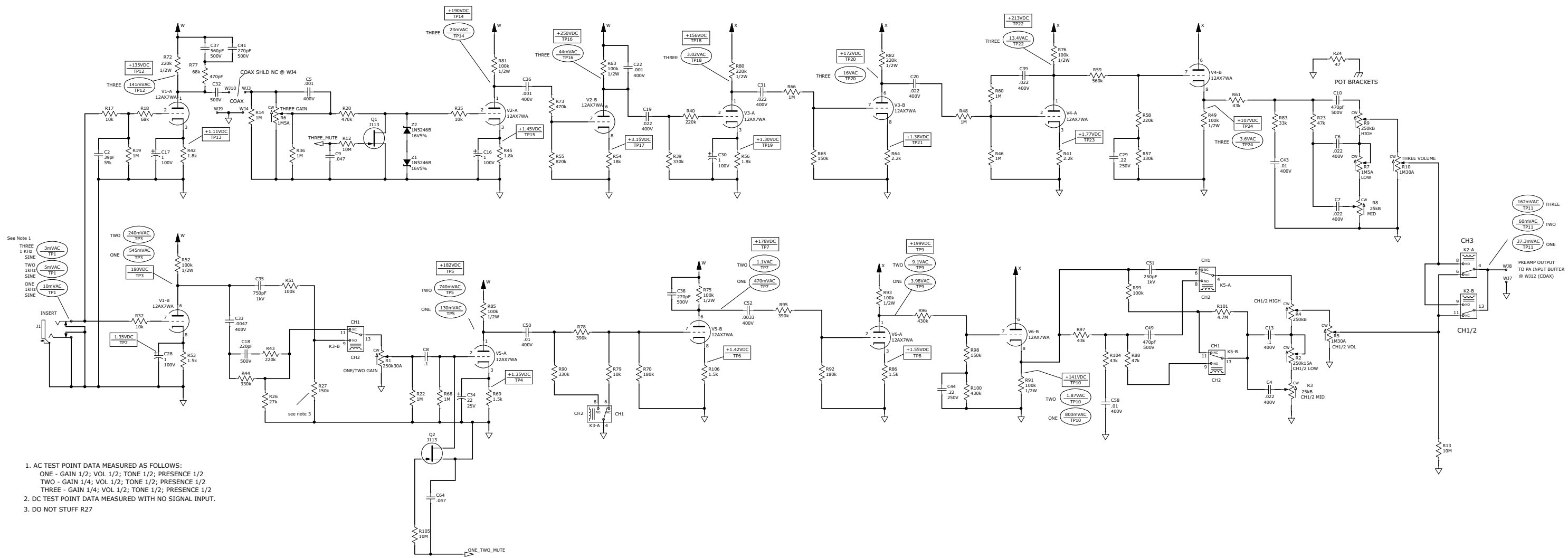


| REVISIONS | | | |
|-----------|-------------|-----------|----------|
| REV. | DESCRIPTION | DATE | APPROVED |
| A | PR1045 | 19-AUG-11 | H B K |
| B | EC4924 | 27-SEP-11 | H B K |



See Note 1
THREE 1 kHz SINE
TWO 1 kHz SINE
ONE 1 kHz SINE

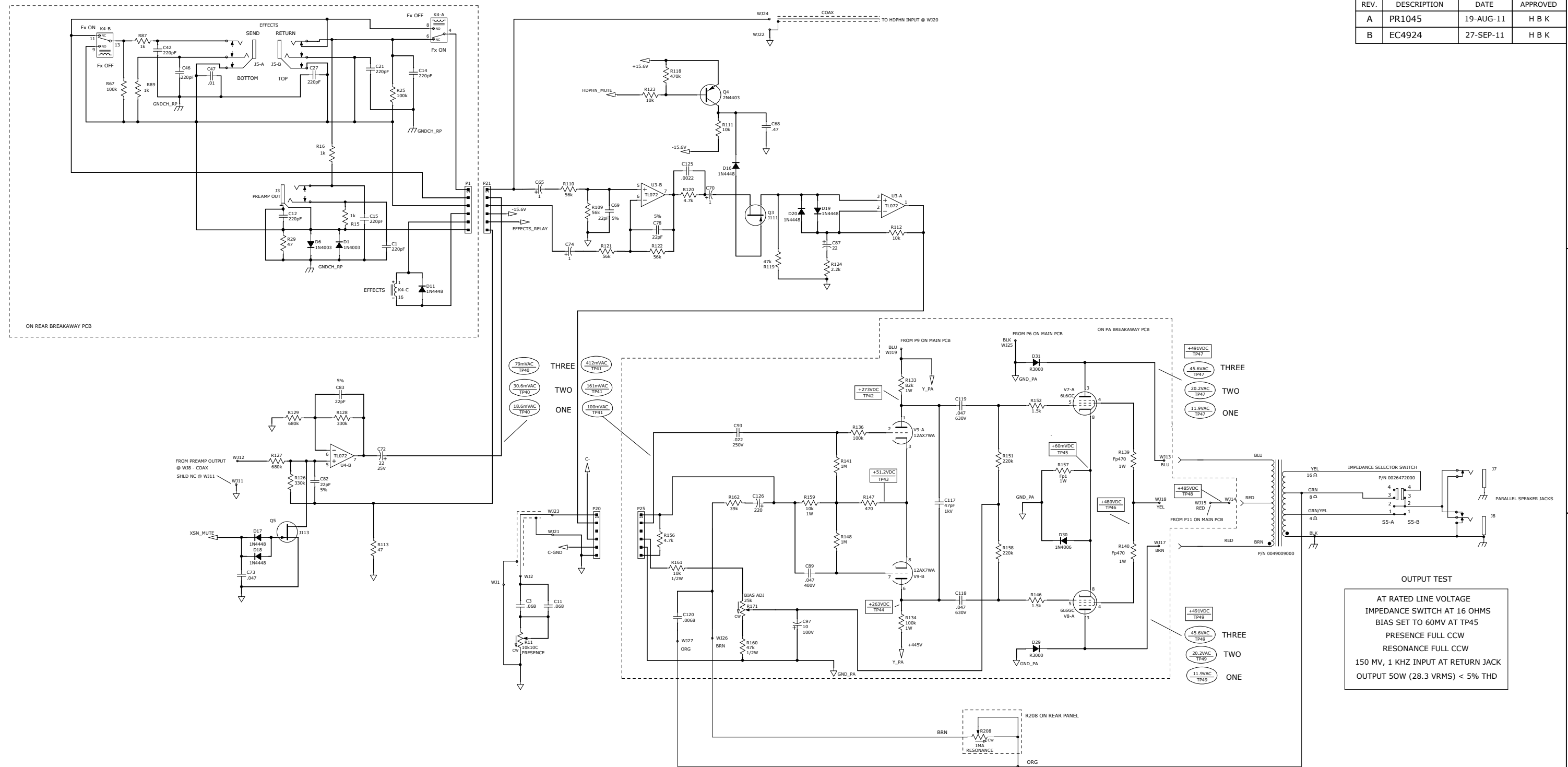
- AC TEST POINT DATA MEASURED AS FOLLOWS:
ONE - GAIN 1/2; VOL 1/2; TONE 1/2; PRESENCE 1/2
TWO - GAIN 1/4; VOL 1/2; TONE 1/2; PRESENCE 1/2
THREE - GAIN 1/4; VOL 1/2; TONE 1/2; PRESENCE 1/2
- DC TEST POINT DATA MEASURED WITH NO SIGNAL INPUT.
- DO NOT STUFF R27

- DO NOT STUFF
- THIS SCHEMATIC IS FOR PCB FABRICATION P/N 0079091000 AND PCB ASSEMBLY P/N 0079090000.
- ALL DIODES ARE 1N4448.
- ALL POLARIZED CAPACITORS IN uF, 20%; 50V MINIMUM.
- ALL UNPOLARIZED CAPACITORS IN uF, 10% OR BETTER; 50V MINIMUM. (POWER SUPPLY BYPASS CAPACITORS ARE 20%).
- ALL RESISTORS IN OHMS, 5%; 1/4W.

NOTES: (UNLESS OTHERWISE NOTED)

| | | | |
|---|----------------|---|-----------------------------------|
| THIS DOCUMENT CONTAINS INFORMATION OF A PROPRIETARY NATURE TO FENDER MUSICAL INSTRUMENTS AND IS SUBMITTED TO YOU IN CONFIDENCE AND SHALL NOT BE DISCLOSED OR TRANSMITTED TO OTHERS WITHOUT AUTHORIZATION FROM FENDER MUSICAL INSTRUMENTS. | | Fender MUSICAL INSTRUMENTS Corona, CA U.S.A. | |
| CHECKED BY: _____ | DATE: _____ | TITLE: SERVICE DIAGRAM, COMBINED (schematic) EVH 5150 III 50W MAIN PCB ASSY | |
| APPROVED BY: _____ | DATE: _____ | SIZE: D | DRAWING NUMBER: 0079092000 |
| DRAWN: H.KAPLAN | ENGR: H.KAPLAN | RELEASE DATE: 09-SEP-11 | REV: B |
| DATABASE FILE: Z1045S1.SCH | | SHEET: 1 OF 5 | |

| REVISIONS | | | |
|-----------|-------------|-----------|----------|
| REV. | DESCRIPTION | DATE | APPROVED |
| A | PR1045 | 19-AUG-11 | H B K |
| B | EC4924 | 27-SEP-11 | H B K |



OUTPUT TEST

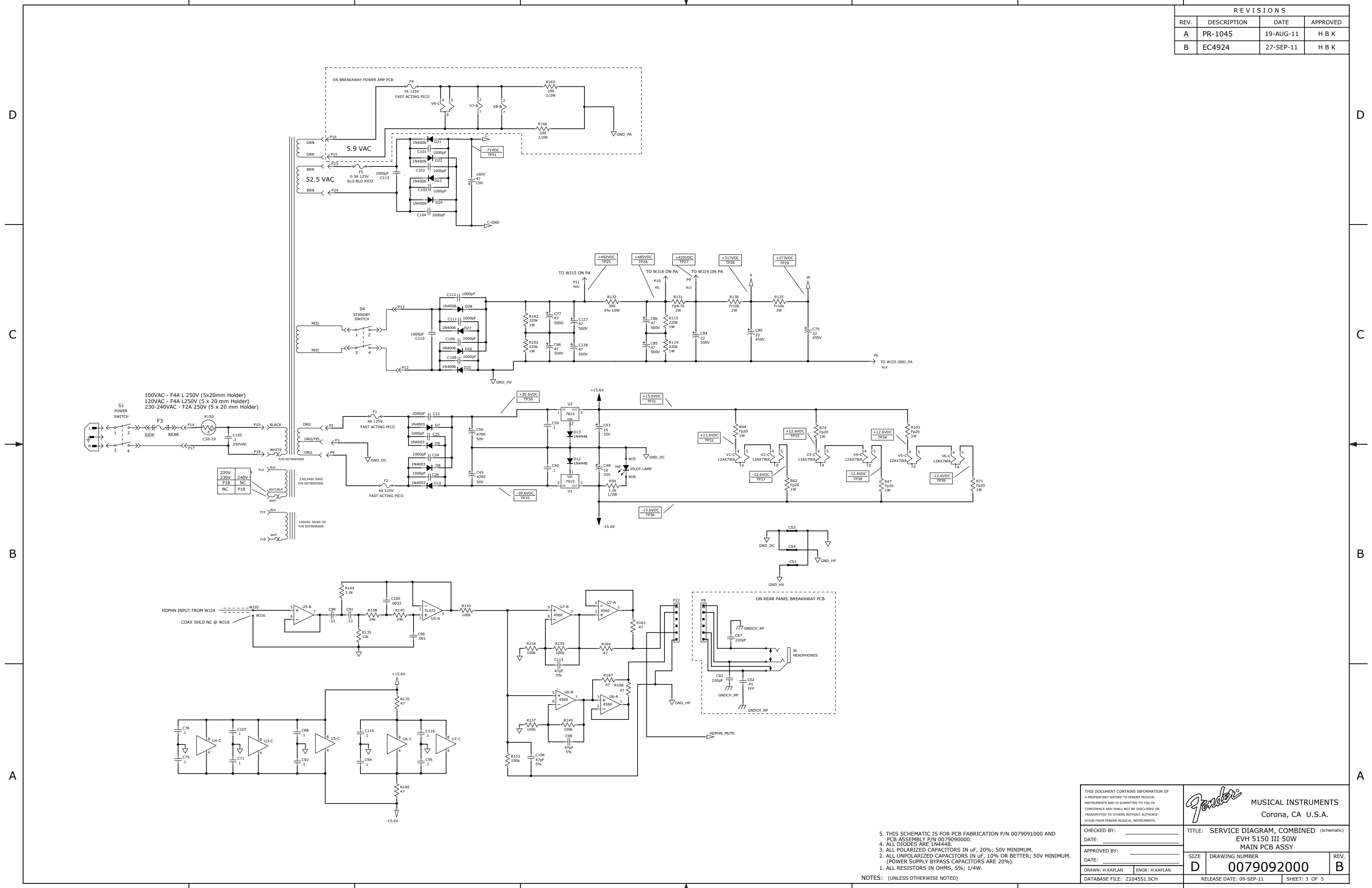
AT RATED LINE VOLTAGE
 IMPEDANCE SWITCH AT 16 OHMS
 BIAS SET TO 60MV AT TP45
 PRESENCE FULL CCW
 RESONANCE FULL CCW
 150 MV, 1 KHZ INPUT AT RETURN JACK
 OUTPUT 50W (28.3 VRMS) < 5% THD

- THIS SCHEMATIC IS FOR PCB FABRICATION P/N 0079091000 AND PCB ASSEMBLY P/N 0079090000.
- ALL DIODES ARE 1N4448.
- ALL POLARIZED CAPACITORS IN uF, 20%; 50V MINIMUM.
- ALL UNPOLARIZED CAPACITORS IN uF, 10% OR BETTER; 50V MINIMUM. (POWER SUPPLY BYPASS CAPACITORS ARE 20%).
- ALL RESISTORS IN OHMS, 5%; 1/4W.

NOTES: (UNLESS OTHERWISE NOTED)

| | | | |
|---|----------------|---|-----------------------------------|
| THIS DOCUMENT CONTAINS INFORMATION OF A PROPRIETARY NATURE TO FENDER MUSICAL INSTRUMENTS AND IS SUBMITTED TO YOU IN CONFIDENCE AND SHALL NOT BE DISCLOSED OR TRANSMITTED TO OTHERS WITHOUT AUTHORIZATION FROM FENDER MUSICAL INSTRUMENTS. | | MUSICAL INSTRUMENTS Corona, CA U.S.A. | |
| CHECKED BY: _____ | DATE: _____ | | |
| APPROVED BY: _____ | DATE: _____ | SIZE: D | DRAWING NUMBER: 0079092000 |
| DRAWN: H.KAPLAN | ENGR: H.KAPLAN | REV: B | RELEASE DATE: 09-SEP-11 |
| DATABASE FILE: Z1045S1.SCH | | SHEET: 2 OF 5 | |

| REVISIONS | | | |
|-----------|-------------|-----------|----------|
| REV. | DESCRIPTION | DATE | APPROVED |
| A | PR-1045 | 19-AUG-11 | H B K |
| B | EC4924 | 27-SEP-11 | H B K |

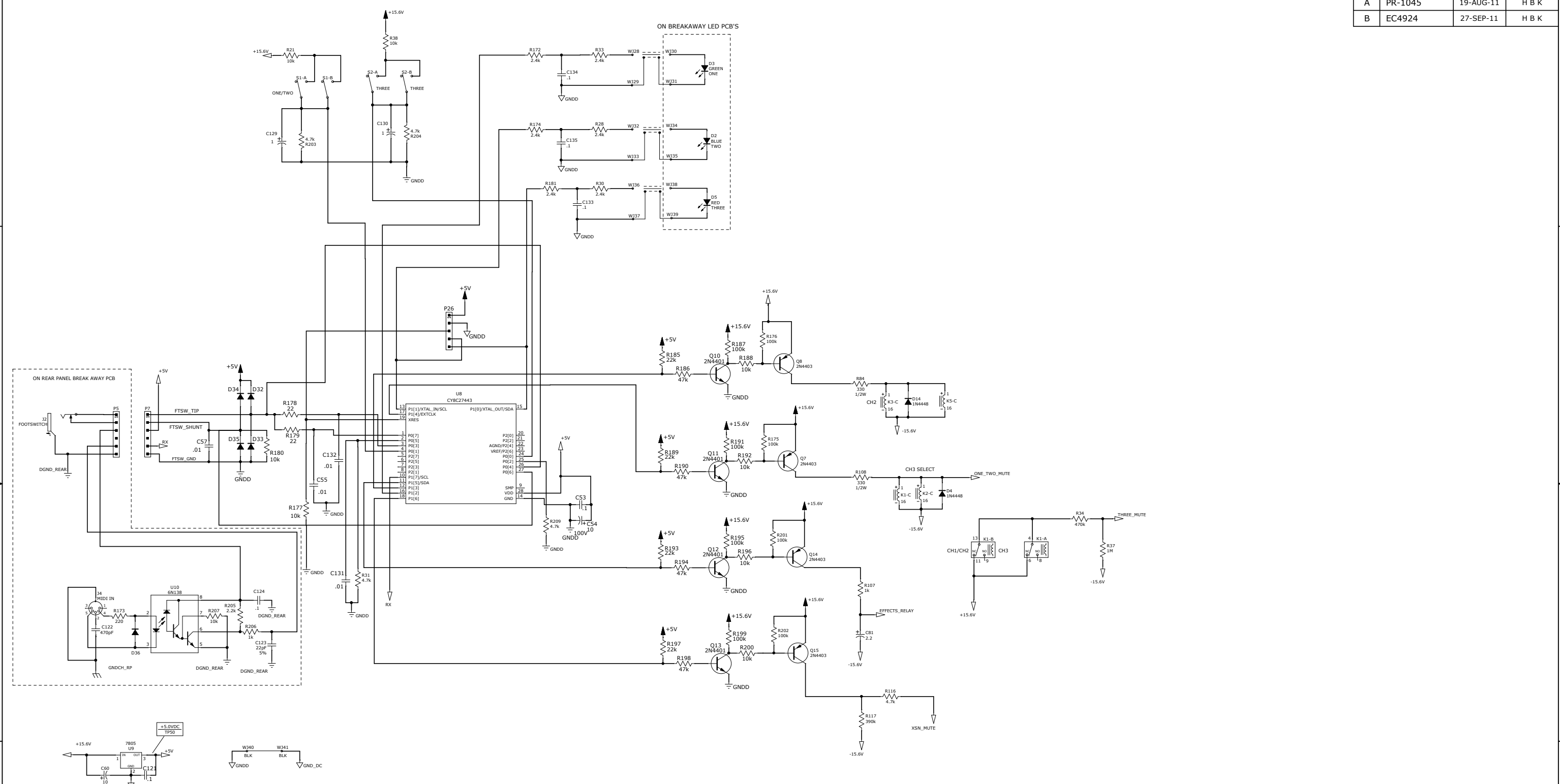


5. THIS SCHEMATIC IS FOR PCB FABRICATION P/N 0079091000 AND PCB ASSEMBLY P/N 0079090000.
 4. ALL DIODES ARE 1N4448S.
 3. ALL POLARIZED CAPACITORS IN uF, 20% OR BETTER; 50V MINIMUM.
 2. ALL UNPOLARIZED CAPACITORS IN uF, 10% OR BETTER; 50V MINIMUM. (POWER SUPPLY BYPASS CAPACITORS ARE 20%).
 1. ALL RESISTORS IN OHMS, 5%, 1/4W.

NOTES: (UNLESS OTHERWISE NOTED)

| | | | |
|---|--|---|-----------------------------------|
| THIS DOCUMENT CONTAINS INFORMATION OF A PROPRIETARY NATURE TO FENDER MUSICAL INSTRUMENTS AND IS SUBMITTED TO YOU IN CONFIDENCE AND SHALL NOT BE DISCLOSED OR TRANSMITTED TO OTHERS WITHOUT AUTHORIZATION FROM FENDER MUSICAL INSTRUMENTS. | | MUSICAL INSTRUMENTS Corona, CA U.S.A. | |
| CHECKED BY: _____ | | | |
| DATE: _____ | | EVH 5150 III 50W MAIN PCB ASSY | |
| APPROVED BY: _____ | | SIZE: D | DRAWING NUMBER: 0079092000 |
| DRAWN: H.KAPLAN | | ENGR: H.KAPLAN | REV: B |
| DATABASE FILE: Z1045S1.SCH | | RELEASE DATE: 09-SEP-11 | SHEET: 3 OF 5 |

| REVISIONS | | | |
|-----------|-------------|-----------|----------|
| REV. | DESCRIPTION | DATE | APPROVED |
| A | PR-1045 | 19-AUG-11 | H B K |
| B | EC4924 | 27-SEP-11 | H B K |



1. ALL RESISTORS IN OHMS, 5%, 1/4W
 2. ALL UNPOLARIZED CAPACITORS IN uF, 10% OR BETTER, 50V MINIMUM. (POWER SUPPLY BYPASS CAPACITORS ARE 20%)
 3. ALL POLARIZED CAPACITORS IN uF, 20%, 50V MINIMUM
 4. ALL DIODES ARE 1N4448.
 5. THE SCHEMATIC FOR PCB FABRICATION P/N 0079091000 AND PCB ASSEMBLY 0079090000.
- NOTES: (UNLESS OTHERWISE NOTED)

| | | | |
|--|--|--|---------------|
| THIS DOCUMENT CONTAINS INFORMATION OF A PROPRIETARY NATURE TO FENDER MUSICAL INSTRUMENTS AND IS SUBMITTED TO YOU IN CONFIDENCE AND SHALL NOT BE DISCLOSED OR TRANSMITTED TO OTHERS WITHOUT AUTHORIZATION FROM FENDER MUSICAL INSTRUMENTS | | Fender MUSICAL INSTRUMENTS Corona, CA U.S.A. | |
| CHECKED BY: _____ | TITLE: SERVICE DIAGRAM, COMBINED (PCB Assy) EVH 5150 III 50W MAIN PCB ASSY | | |
| DATE: _____ | SIZE: D | DRAWING NUMBER: 0079092000 | REV: B |
| APPROVED BY: _____ | DRAWN: H. KAPLAN ENGR: H. KAPLAN | | |
| DATE: _____ | DATABASE FILE: 1045S1.SCH | | |
| RELEASE DATE: 09-SEP-11 | | SHEET 4 OF 5 | |