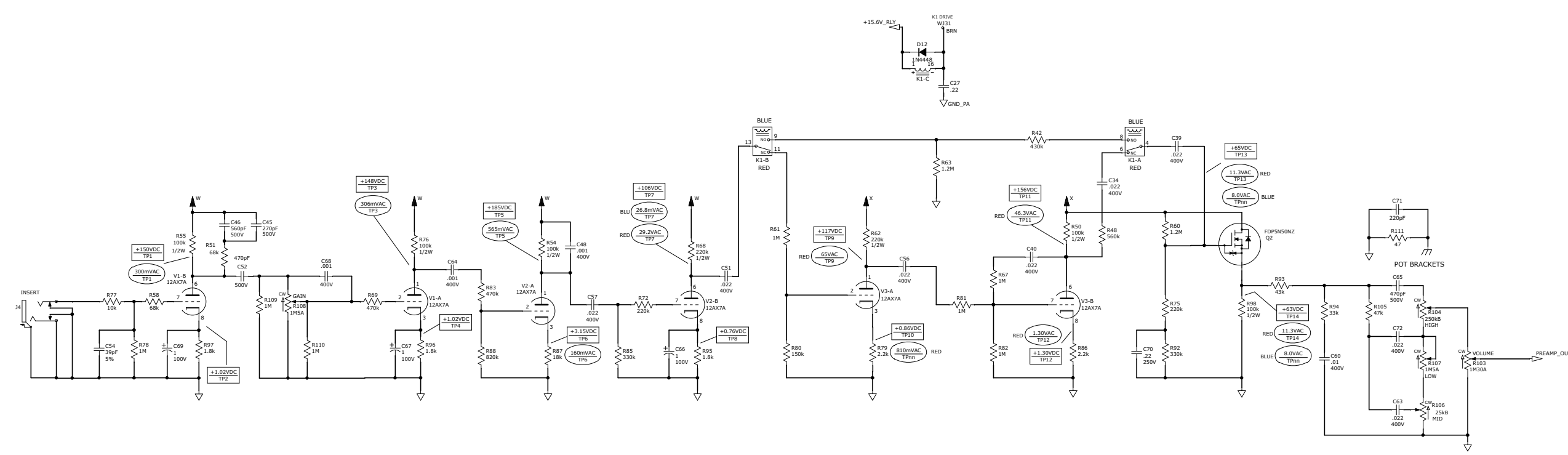


REVISIONS			
REV.	DESCRIPTION	DATE	APPROVED
A	PR3736	02-JUL-15	H B K
B	EC15-0031	05-AUG-15	H B K
C	EC15-0087	26-OCT-15	H B K
D	EC15-0109	11-DEC-15	H B K



1. AC TEST POINT DATA MEASURED AS FOLLOWS WITH A TRUE RMS METER:
 INSERT - 5 mV, 1KHz
 GAIN - 9 o'clock
 VOLUME - 9 o'clock
 LOW, MID, HIGH - 12 o'clock
 SELECT - RED or BLUE as indicated; either BLUE if not indicated
 POWER LEVEL - FULL
 RESONANCE - 12 o'clock

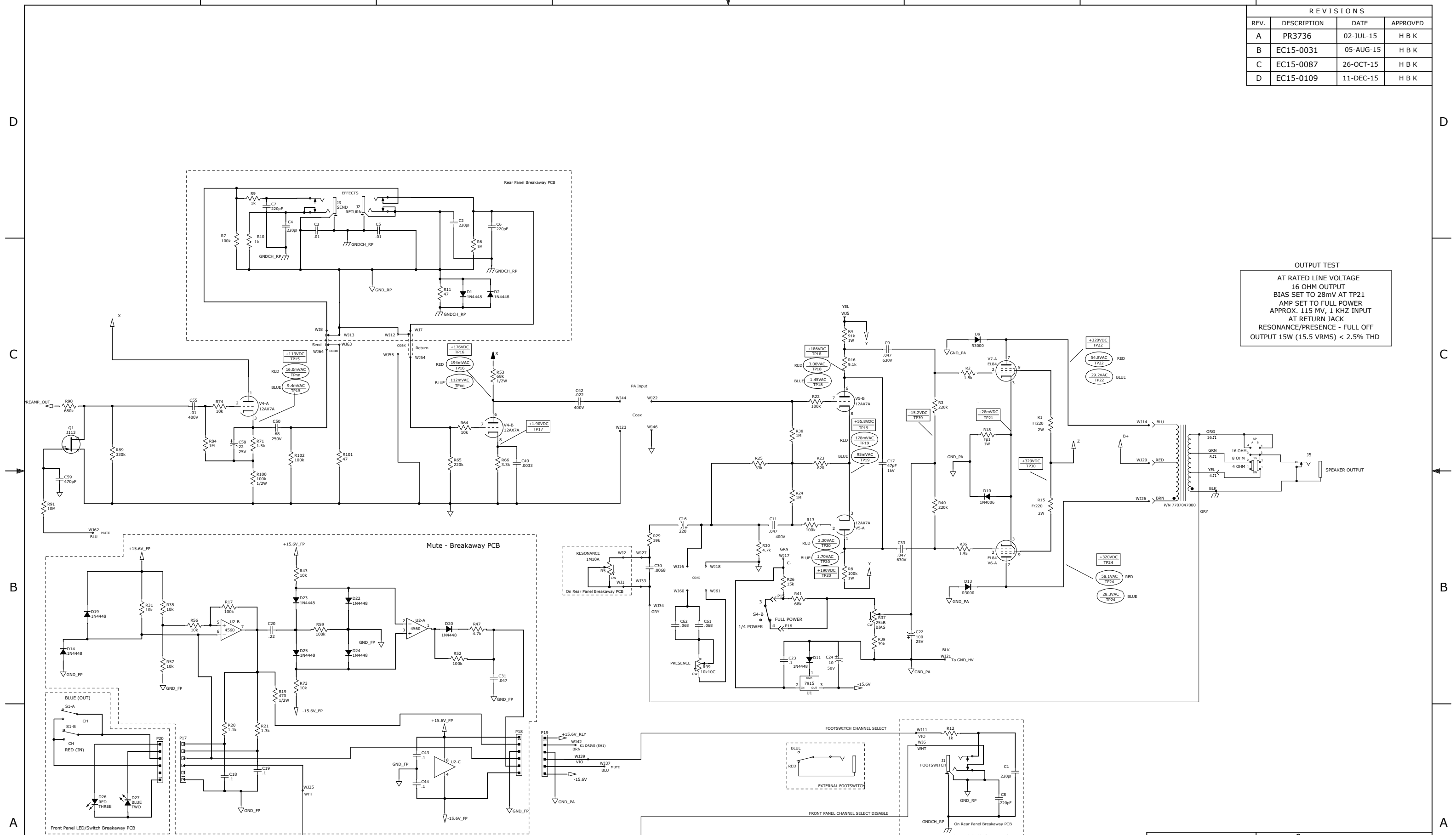
2. DC TEST POINT DATA MEASURED WITH NO SIGNAL INPUT.

3. ALL DIODES ARE 1N4448.
 4. ALL POLARIZED CAPACITORS IN uF, 20%; 50V MINIMUM.
 5. THIS SCHEMATIC IS FOR PCB FABRICATION P/N7707042000 AND PCB ASSEMBLY P/N 7707043000.
 6. ALL UNPOLARIZED CAPACITORS IN uF, 10% OR BETTER; 50V MINIMUM. (POWER SUPPLY BYPASS CAPACITORS ARE 20%).
 7. ALL RESISTORS IN OHMS, 5%; 1/4W.

NOTES: (UNLESS OTHERWISE NOTED)

THIS DOCUMENT CONTAINS INFORMATION OF A PROPRIETARY NATURE TO FENDER MUSICAL INSTRUMENTS AND IS SUBMITTED TO YOU IN CONFIDENCE AND SHALL NOT BE DISCLOSED OR TRANSMITTED TO OTHERS WITHOUT AUTHORIZATION FROM FENDER MUSICAL INSTRUMENTS.		MUSICAL INSTRUMENTS Corona, CA U.S.A.	
CHECKED BY: _____	DATE: _____	TITLE: SERVICE DIAGRAM, COMBINED (schematic) EVH 5150III 15W AMP MAIN PCB	
APPROVED BY: _____	DATE: _____	SIZE: D	DRAWING NUMBER: 7707050000
DRAWN: H.KAPLAN	ENGR: H.KAPLAN	RELEASE DATE: 02-JUL-15	SHEET: 1 OF 4
DATABASE FILE: Z3736S.SCH			REV. D

REVISIONS			
REV.	DESCRIPTION	DATE	APPROVED
A	PR3736	02-JUL-15	H B K
B	EC15-0031	05-AUG-15	H B K
C	EC15-0087	26-OCT-15	H B K
D	EC15-0109	11-DEC-15	H B K



OUTPUT TEST
 AT RATED LINE VOLTAGE
 16 OHM OUTPUT
 BIAS SET TO 28mV AT TP21
 AMP SET TO FULL POWER
 APPROX. 115 MV, 1 KHZ INPUT
 AT RETURN JACK
 RESONANCE/PRESENCE - FULL OFF
 OUTPUT 15W (15.5 VRMS) < 2.5% THD

- AC TEST POINT DATA MEASURED AS FOLLOWS WITH A TRUE RMS METER:
 INSERT - 5 mV, 1KHz
 GAIN - 9 o'clock
 VOLUME - 9 o'clock
 LOW, MID, HIGH - 12 o'clock
 SELECT - RED or BLUE as indicated; either BLUE if not indicated
 POWER LEVEL - FULL
 RESONANCE - 12 o'clock
 - DC TEST POINT DATA MEASURED WITH NO SIGNAL INPUT.
 - ALL POLARIZED CAPACITORS IN uF, 20%; 50V MINIMUM.
 - ALL UNPOLARIZED CAPACITORS IN uF, 10% OR BETTER; 50V MINIMUM. (POWER SUPPLY BYPASS CAPACITORS ARE 20%).
 - ALL RESISTORS IN OHMS, 5%; 1/4W.
- NOTES: (UNLESS OTHERWISE NOTED)

THIS DOCUMENT CONTAINS INFORMATION OF A PROPRIETARY NATURE TO FENDER MUSICAL INSTRUMENTS AND IS SUBMITTED TO YOU IN CONFIDENCE AND SHALL NOT BE DISCLOSED OR TRANSMITTED TO OTHERS WITHOUT AUTHORIZATION FROM FENDER MUSICAL INSTRUMENTS.

Fender MUSICAL INSTRUMENTS
 Corona, CA U.S.A.

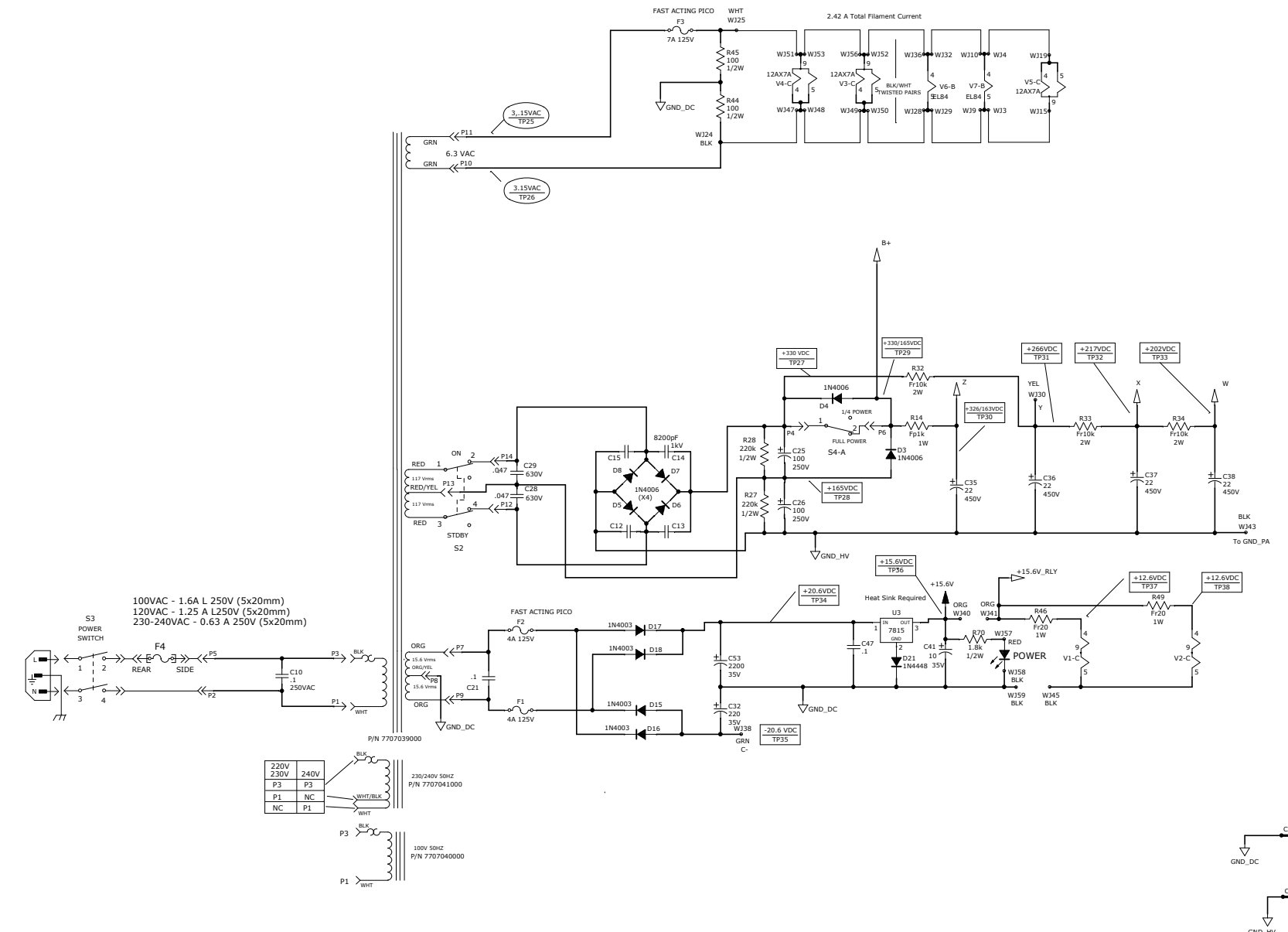
CHECKED BY: _____ DATE: _____
 APPROVED BY: _____ DATE: _____
 DRAWN: H.KAPLAN ENGR: H.KAPLAN DATABASE FILE: Z3736S.SCH

TITLE: SERVICE DIAGRAM, COMBINED EVH 5150III 15W AMP MAIN PCB

SIZE	DRAWING NUMBER	REV.
D	7707050000	D

RELEASE DATE: 02-JUL-15 SHEET: 2 OF 4

REVISIONS			
REV.	DESCRIPTION	DATE	APPROVED
A	PR3736	02-JUL-15	H B K
B	EC15-0031	05-AUG-15	H B K
C	EC15-0087	26-OCT-15	H B K
D	EC15-0109	11-DEC-15	H B K



- AC TEST POINT DATA MEASURED AS FOLLOWS WITH A TRUE RMS METER:
 INSERT - 5 mV, 1KHz
 GAIN - 9 o'clock
 VOLUME - 9 o'clock
 LOW, MID, HIGH - 12 o'clock
 SELECT - RED or BLUE as indicated; either BLUE if not indicated
 POWER LEVEL - FULL
 RESONANCE - 12 o'clock
 - DC TEST POINT DATA MEASURED WITH NO SIGNAL INPUT.
 - THIS SCHEMATIC IS FOR PCB FABRICATION P/N 7707042000 AND PCB ASSEMBLY P/N 7707043000.
 - ALL DIODES ARE 1N4448.
 - ALL POLARIZED CAPACITORS IN uF, 20%; 50V MINIMUM.
 - ALL UNPOLARIZED CAPACITORS IN uF, 10% OR BETTER; 50V MINIMUM. (POWER SUPPLY BYPASS CAPACITORS ARE 20%).
- NOTES: (UNLESS OTHERWISE NOTED)

THIS DOCUMENT CONTAINS INFORMATION OF A PROPRIETARY NATURE TO FENDER MUSICAL INSTRUMENTS AND IS SUBMITTED TO YOU IN CONFIDENCE AND SHALL NOT BE DISCLOSED OR TRANSMITTED TO OTHERS WITHOUT AUTHORIZATION FROM FENDER MUSICAL INSTRUMENTS.		MUSICAL INSTRUMENTS Corona, CA U.S.A.	
CHECKED BY: _____	TITLE: SERVICE DIAGRAM, COMBINED (schematic) EVH 5150III 15W AMP MAIN PCB		
APPROVED BY: _____	SIZE: D	DRAWING NUMBER: 7707050000	REV: D
DATE: _____	DRAWN: H.KAPLAN ENGR: H.KAPLAN		RELEASE DATE: 02-JUL-15 SHEET: 3 OF 4
DATABASE FILE: Z3736S.SCH			