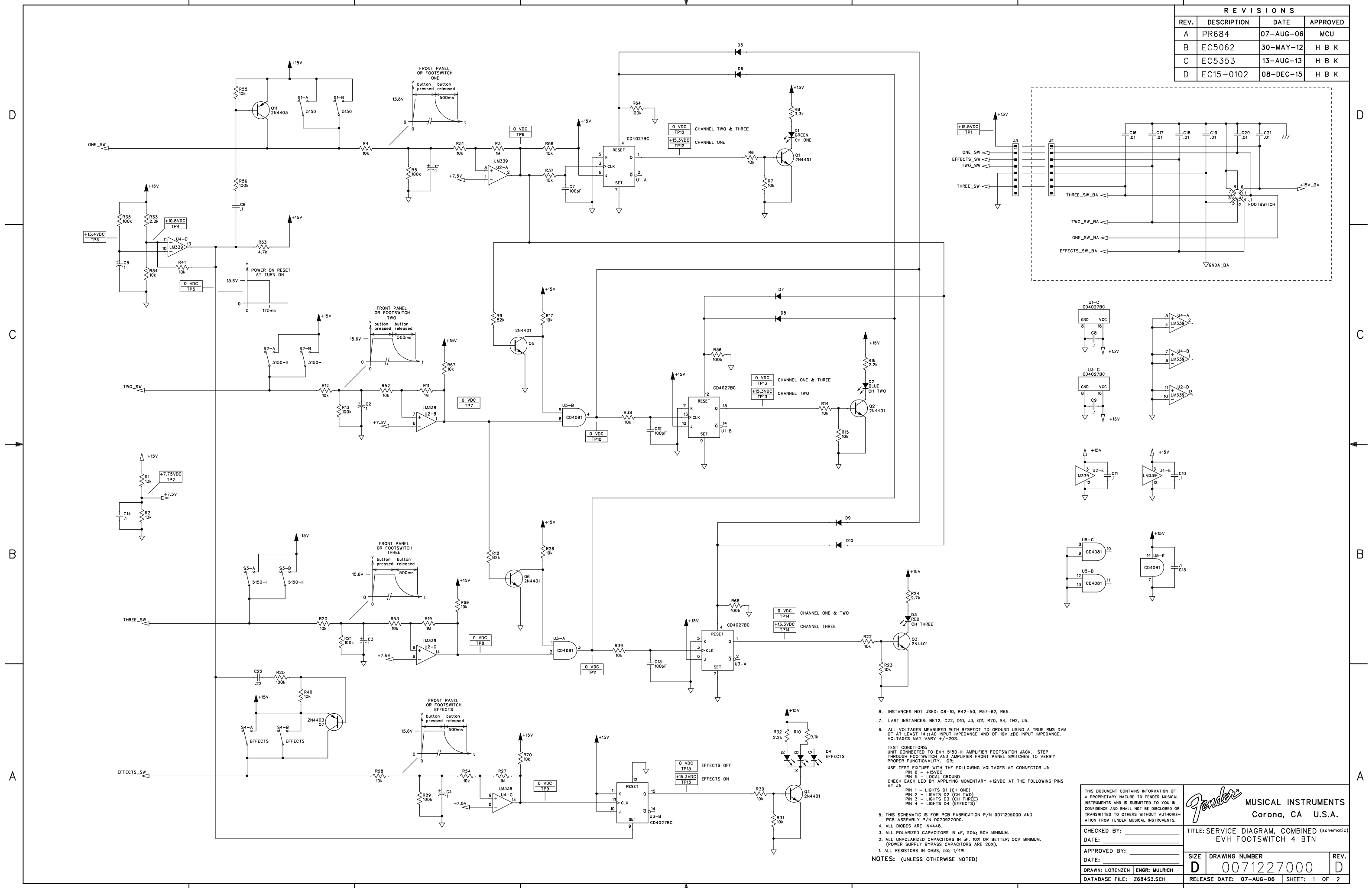


REVISIONS			
REV.	DESCRIPTION	DATE	APPROVED
A	PR684	07-AUG-06	MCU
B	EC5062	30-MAY-12	H B K
C	EC5353	13-AUG-13	H B K
D	EC15-0102	08-DEC-15	H B K



8. INSTANCES NOT USED: Q8-10, R42-50, R57-62, R65.
7. LAST INSTANCES: BKT2, C22, D10, J3, Q11, R70, S4, TH2, U5.
6. ALL VOLTAGES MEASURED WITH RESPECT TO GROUND USING A TRUE RMS DVM OF AT LEAST 1M Ω AC INPUT IMPEDANCE AND OF 10M Ω DC INPUT IMPEDANCE. VOLTAGES MAY VARY +/-20%.
TEST CONDITIONS:
UNIT CONNECTED TO EVH 5150-III AMPLIFIER FOOTSWITCH JACK. STEP THROUGH FOOTSWITCH AND AMPLIFIER FRONT PANEL SWITCHES TO VERIFY PROPER FUNCTIONALITY. OR:
USE TEST FIXTURE WITH THE FOLLOWING VOLTAGES AT CONNECTOR J1:
PIN 6 - +15VDC
PIN 9 - LOCAL GROUND
CHECK EACH LED BY APPLYING MOMENTARY +12VDC AT THE FOLLOWING PINS AT J1:
PIN 1 - LIGHTS D1 (CH ONE)
PIN 2 - LIGHTS D2 (CH TWO)
PIN 3 - LIGHTS D3 (CH THREE)
PIN 4 - LIGHTS D4 (EFFECTS)
5. THIS SCHEMATIC IS FOR PCB FABRICATION P/N 0071295000 AND PCB ASSEMBLY P/N 0070927000.
4. ALL DIODES ARE 1N4448.
3. ALL POLARIZED CAPACITORS IN μF, 20%; 50V MINIMUM.
2. ALL UNPOLARIZED CAPACITORS IN μF, 10% OR BETTER; 50V MINIMUM. (POWER SUPPLY BYPASS CAPACITORS ARE 20%).
1. ALL RESISTORS IN OHMS, 5%; 1/4W.
NOTES: (UNLESS OTHERWISE NOTED)

THIS DOCUMENT CONTAINS INFORMATION OF A PROPRIETARY NATURE TO FENDER MUSICAL INSTRUMENTS AND IS SUBMITTED TO YOU IN CONFIDENCE AND SHALL NOT BE DISCLOSED OR TRANSMITTED TO OTHERS WITHOUT AUTHORIZATION FROM FENDER MUSICAL INSTRUMENTS.

Fender MUSICAL INSTRUMENTS
Corona, CA U.S.A.

TITLE: SERVICE DIAGRAM, COMBINED (schematic)
DATE: EVH FOOTSWITCH 4 BTN

CHECKED BY: _____
DATE: _____

APPROVED BY: _____
DATE: _____

DRAWN: LORENZEN ENGR: MULRICH
DATABASE FILE: Z684S3.SCH

SIZE	DRAWING NUMBER	REV.
D	0071227000	D

RELEASE DATE: 07-AUG-06 SHEET: 1 OF 2