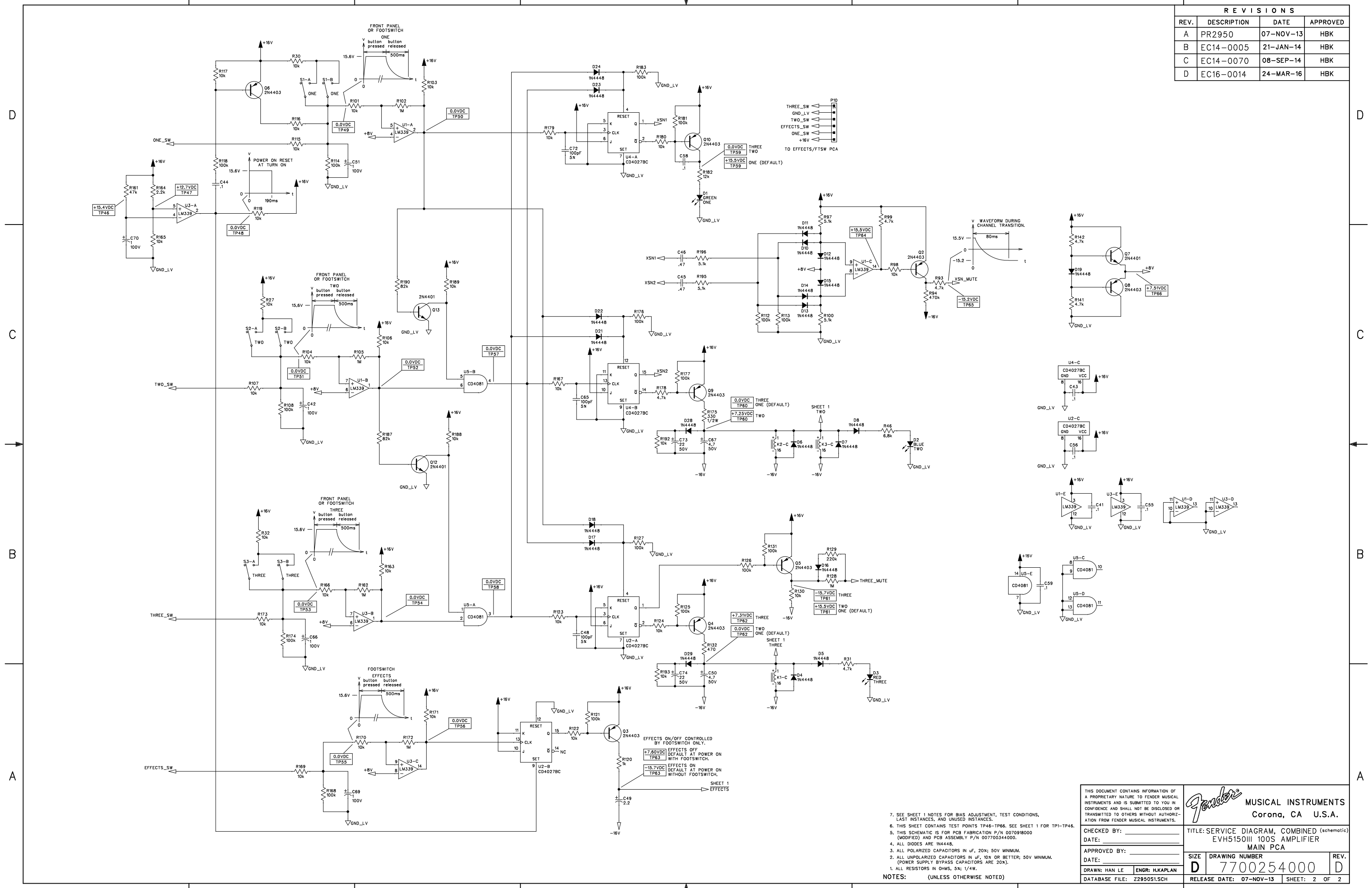


REVISIONS			
REV.	DESCRIPTION	DATE	APPROVED
A	PR2950	07-NOV-13	HBK
B	EC14-0005	21-JAN-14	HBK
C	EC14-0070	08-SEP-14	HBK
D	EC16-0014	24-MAR-16	HBK



THIS DOCUMENT CONTAINS INFORMATION OF A PROPRIETARY NATURE TO FENDER MUSICAL INSTRUMENTS AND IS SUBMITTED TO YOU IN CONFIDENCE AND SHALL NOT BE DISCLOSED OR TRANSMITTED TO OTHERS WITHOUT AUTHORIZATION FROM FENDER MUSICAL INSTRUMENTS.

Fender MUSICAL INSTRUMENTS
Corona, CA U.S.A.

TITLE: SERVICE DIAGRAM, COMBINED (schematic)
EVH5150III 100S AMPLIFIER
MAIN PCA

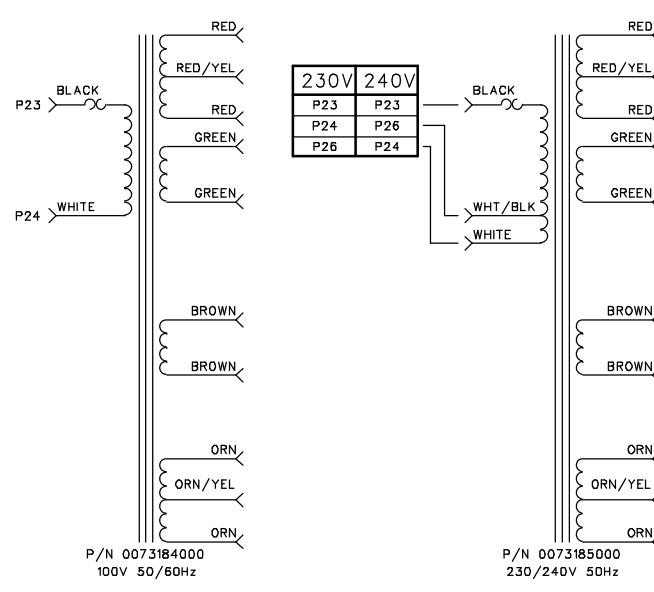
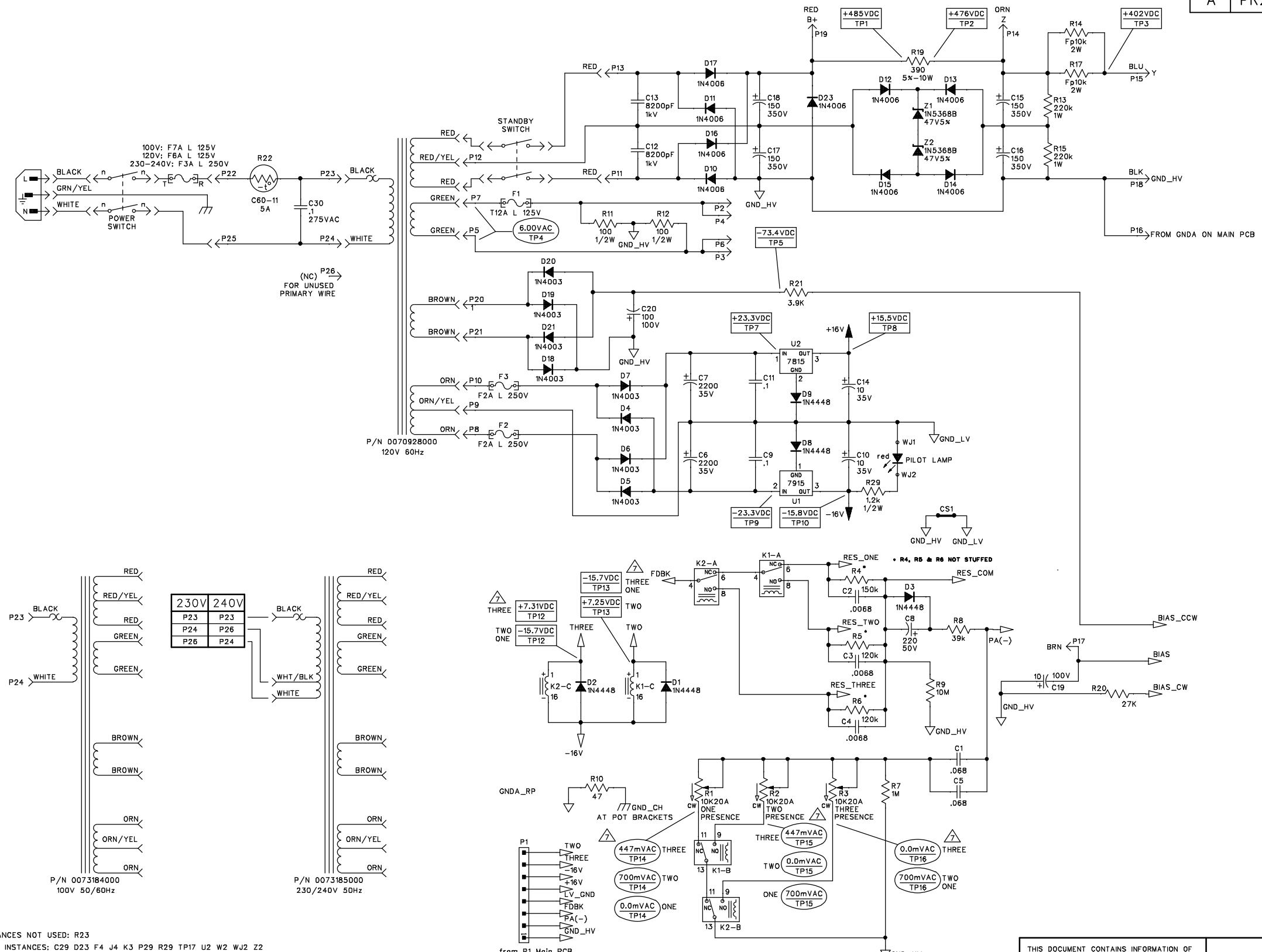
CHECKED BY: _____ DATE: _____
APPROVED BY: _____ DATE: _____
DRAWN: HAN LE ENGR: H.KAPLAN
DATABASE FILE: Z2950S1.SCH

SIZE: **D** DRAWING NUMBER: 7700254000 REV. **D**

RELEASE DATE: 07-NOV-13 SHEET: 2 OF 2

- SEE SHEET 1 NOTES FOR BIAS ADJUSTMENT, TEST CONDITIONS, LAST INSTANCES, AND UNUSED INSTANCES.
 - THIS SHEET CONTAINS TEST POINTS TP46-TP66. SEE SHEET 1 FOR TP1-TP45.
 - THIS SCHEMATIC IS FOR PCB FABRICATION P/N 0070918000 (MODIFIED) AND PCB ASSEMBLY P/N 007700344000.
 - ALL DIODES ARE 1N4448.
 - ALL POLARIZED CAPACITORS IN μ F, 20% 50V MINIMUM.
 - ALL UNPOLARIZED CAPACITORS IN μ F, 10% OR BETTER; 50V MINIMUM. (POWER SUPPLY BYPASS CAPACITORS ARE 20%).
 - ALL RESISTORS IN OHMS, 5% 1/4W.
- NOTES: (UNLESS OTHERWISE NOTED)

REVISIONS			
REV.	DESCRIPTION	DATE	APPROVED
A	PR2950	07-NOV-13	HBK

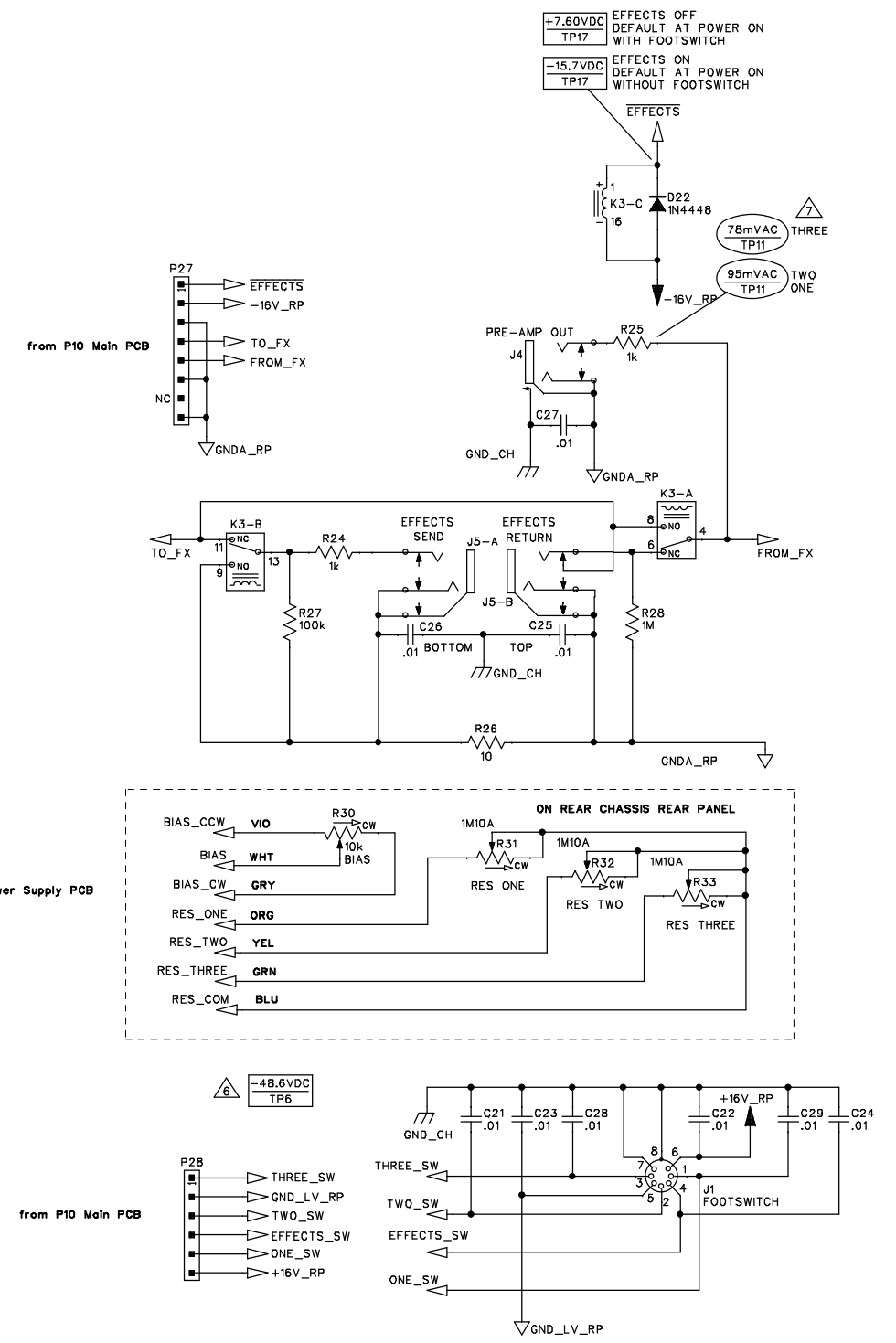


9. INSTANCES NOT USED: R23
8. LAST INSTANCES: C29 D23 F4 J4 K3 P29 R29 U17 U2 W2 WJ2 Z2
7. SEE SCHEMATIC 7700254000 SHEET 1 NOTE 7 FOR TESTING CONDITIONS. NOTE THE DIFFERENT INPUT SIGNAL VOLTAGES AND FREQUENCIES USED FOR TESTING EACH CHANNEL.
6. SEE SCHEMATIC 7700254000 SHEET 1 NOTE 6 FOR BIASING INSTRUCTIONS. VOLTAGE SHOWN AT TP6 IS FOR REFERENCE ONLY AND WILL VARY FROM UNIT TO UNIT.
5. THIS SCHEMATIC IS FOR PCB FABRICATION P/N 0070919000 (MODIFIED) AND PCB ASSEMBLY P/N 7700345000.
4. ALL DIODES ARE 1N4448.
3. ALL POLARIZED CAPACITORS IN μF , 20%; 50V MINIMUM.
2. ALL UNPOLARIZED CAPACITORS IN μF , 10% OR BETTER; 50V MINIMUM. (POWER SUPPLY BYPASS CAPACITORS ARE 20%).
1. ALL RESISTORS IN OHMS, 5%; 1/4W.

NOTES: (UNLESS OTHERWISE NOTED)

THIS DOCUMENT CONTAINS INFORMATION OF A PROPRIETARY NATURE TO FENDER MUSICAL INSTRUMENTS AND IS SUBMITTED TO YOU IN CONFIDENCE AND SHALL NOT BE DISCLOSED OR TRANSMITTED TO OTHERS WITHOUT AUTHORIZATION FROM FENDER MUSICAL INSTRUMENTS.		MUSICAL INSTRUMENTS Corona, CA U.S.A.	
CHECKED BY: _____	TITLE: SERVICE DIAGRAM, COMBINED (schematic)		
DATE: _____	EVH 5150III 100S		
APPROVED BY: _____	POWER SUPPLY PCB		
DATE: _____	SIZE	DRAWING NUMBER	REV.
DRAWN: H.KAPLAN	C	7700253000	A
ENGR: H.KAPLAN	RELEASE DATE: 07-NOV-13		SHEET: 1 OF 2
DATABASE FILE: Z2950S2.SCH			

REVISIONS			
REV.	DESCRIPTION	DATE	APPROVED
A	PR2950	07-NOV-13	HBK



6. Parts on this page on rear panel PCB unless noted otherwise.
 5. THIS SCHEMATIC IS FOR PCB FABRICATION P/N 0070919000 (MODIFIED) AND PCB ASSEMBLY P/N 7700345000.
 4. ALL DIODES ARE 1N4448.
 3. ALL POLARIZED CAPACITORS IN μ F, 20%; 50V MINIMUM.
 2. ALL UNPOLARIZED CAPACITORS IN μ F, 10% OR BETTER; 50V MINIMUM. (POWER SUPPLY BYPASS CAPACITORS ARE 20%).
 1. ALL RESISTORS IN OHMS, 5%; 1/4W.
- NOTES: (UNLESS OTHERWISE NOTED)

THIS DOCUMENT CONTAINS INFORMATION OF A PROPRIETARY NATURE TO FENDER MUSICAL INSTRUMENTS AND IS SUBMITTED TO YOU IN CONFIDENCE AND SHALL NOT BE DISCLOSED OR TRANSMITTED TO OTHERS WITHOUT AUTHORIZATION FROM FENDER MUSICAL INSTRUMENTS.		Fender MUSICAL INSTRUMENTS Corona, CA U.S.A.	
CHECKED BY: _____ DATE: _____		TITLE: SERVICE DIAGRAM, COMBINED (schematic) EVH 5150III 100S POWER SUPPLY PCB	
APPROVED BY: _____ DATE: _____		SIZE C	DRAWING NUMBER 7700253000
DRAWN: H.KAPLAN	ENGR: H.KAPLAN	REV. A	
DATABASE FILE: Z2950S2.SCH		RELEASE DATE: 07-NOV-13	SHEET: 2 OF 2